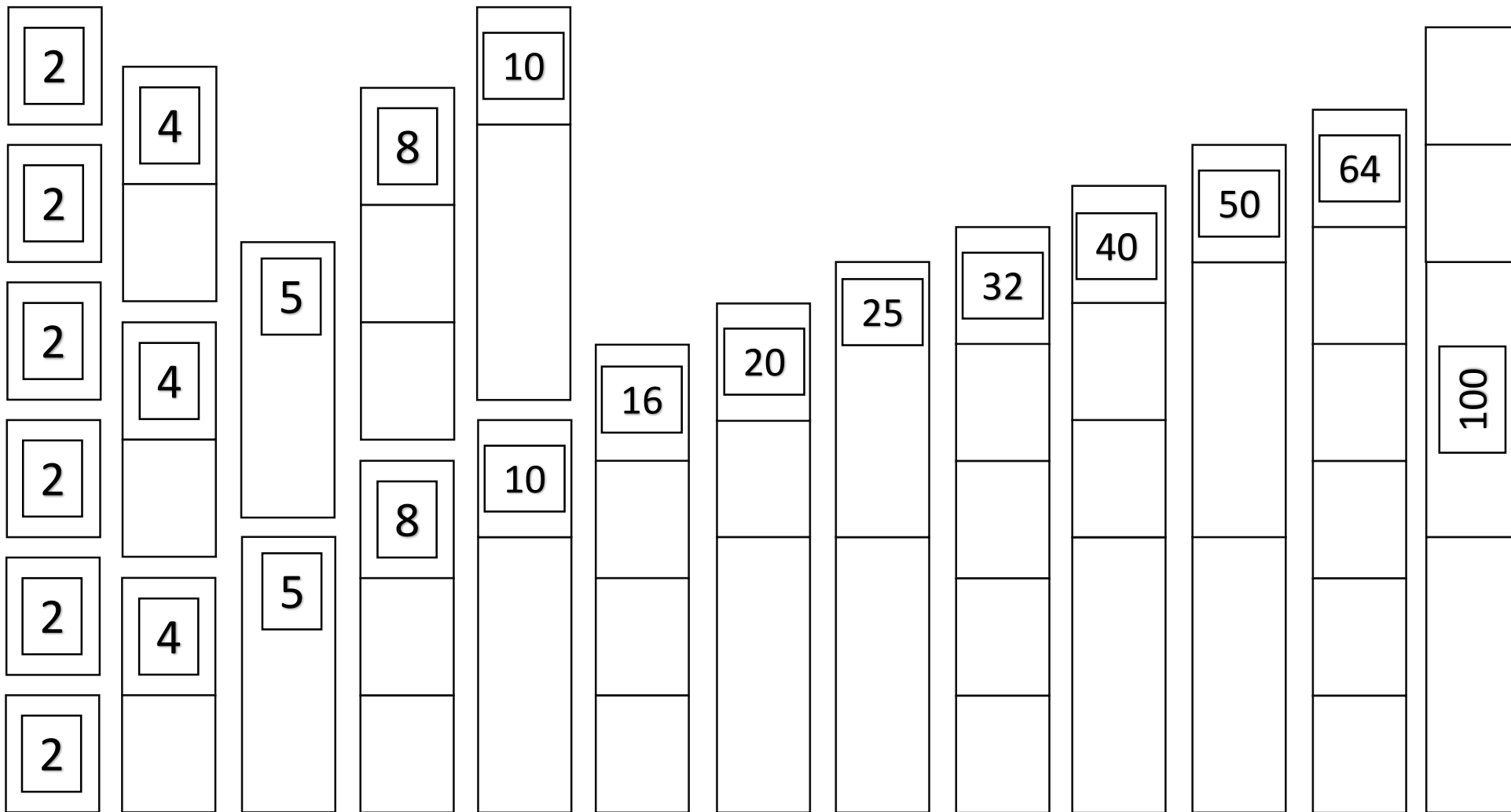
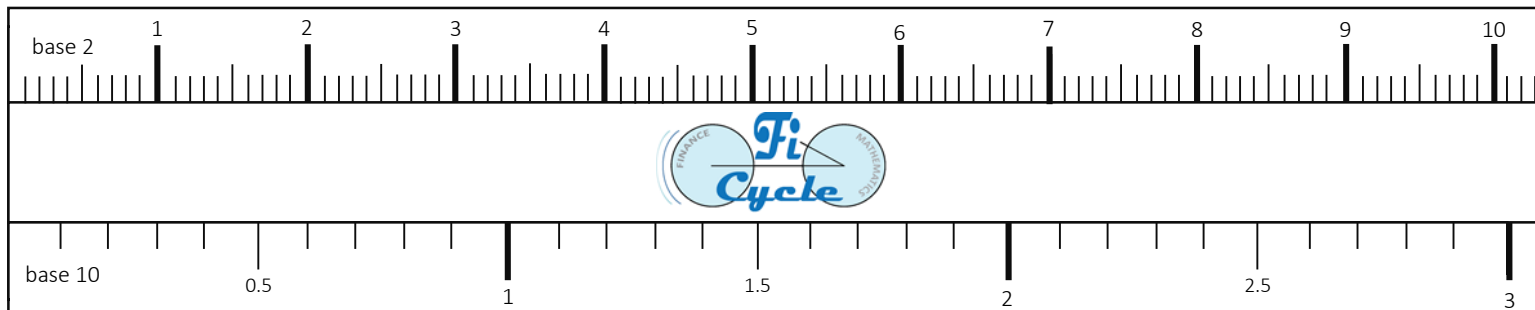


FiCycle LOGs

Instructions: Cut out the LOGs and LOG ruler along their perimeters. Be careful not to cut along the divisions within the individual LOGs!



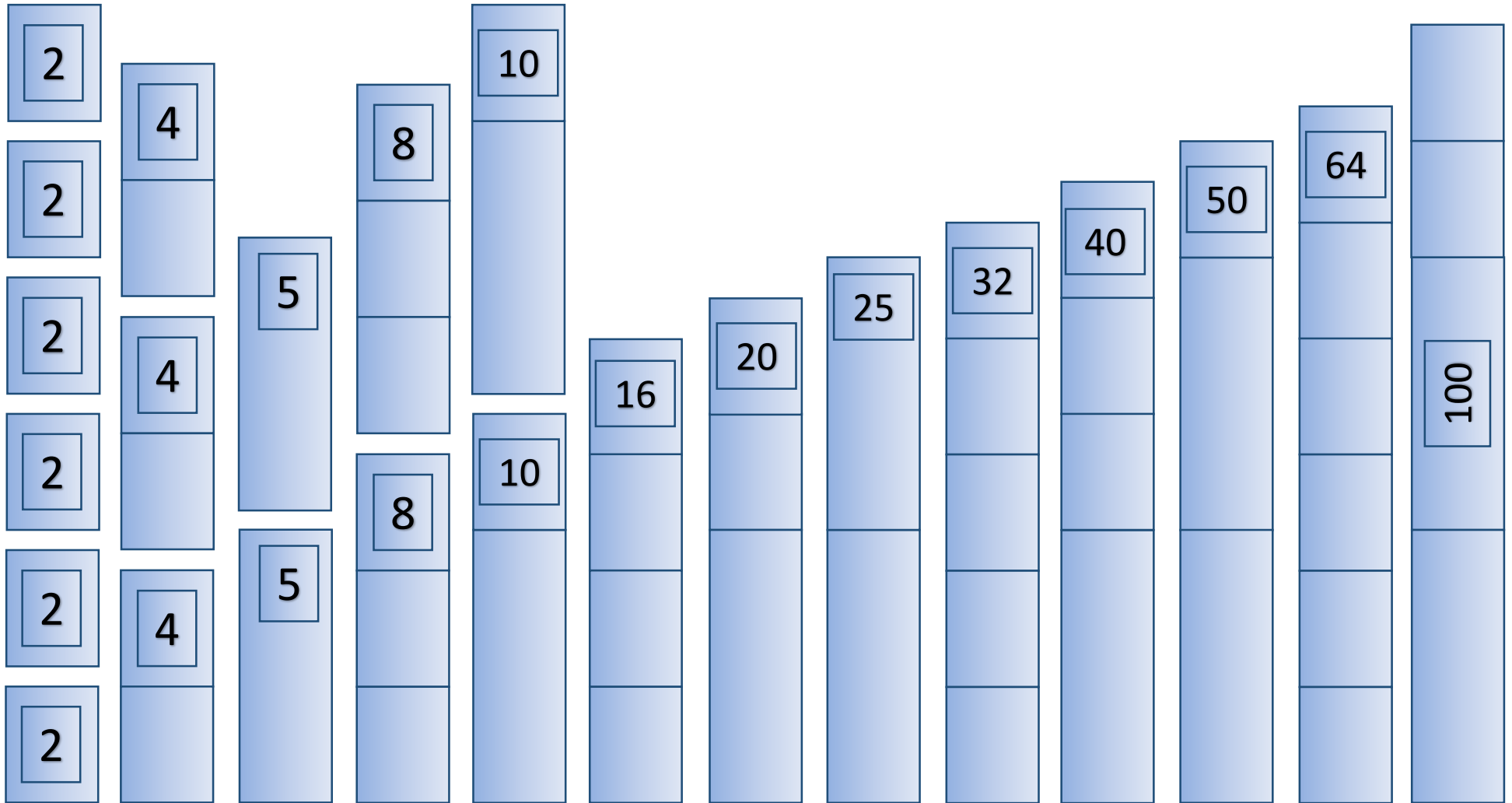
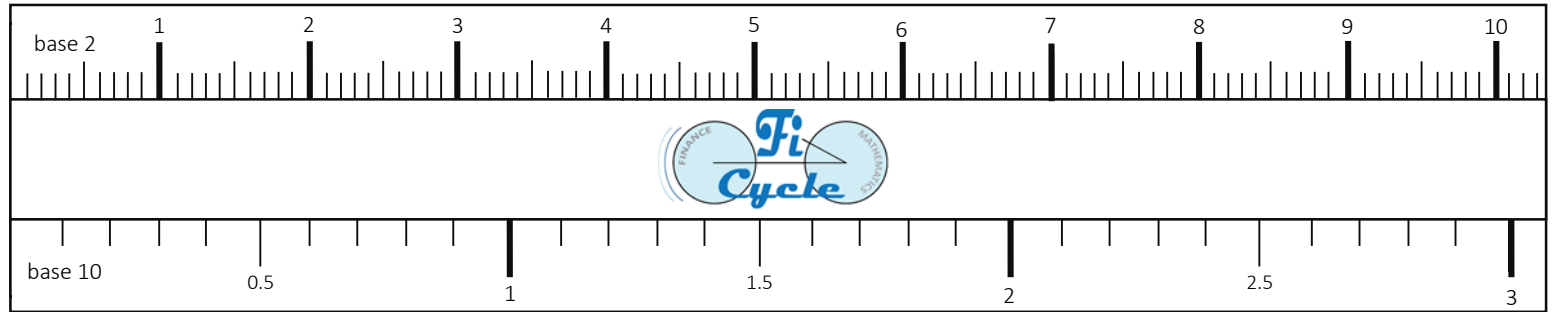
Visit ficycle.com/logs for more information or to order your own set of stackable, plastic LOGs!

Patent Information: www.ficycle.org/pat

©FiCycle 2019

FiCycle LOGs

Instructions: Cut out the LOGs and LOG ruler along their perimeters. Be careful not to cut along the divisions within the individual LOGs!



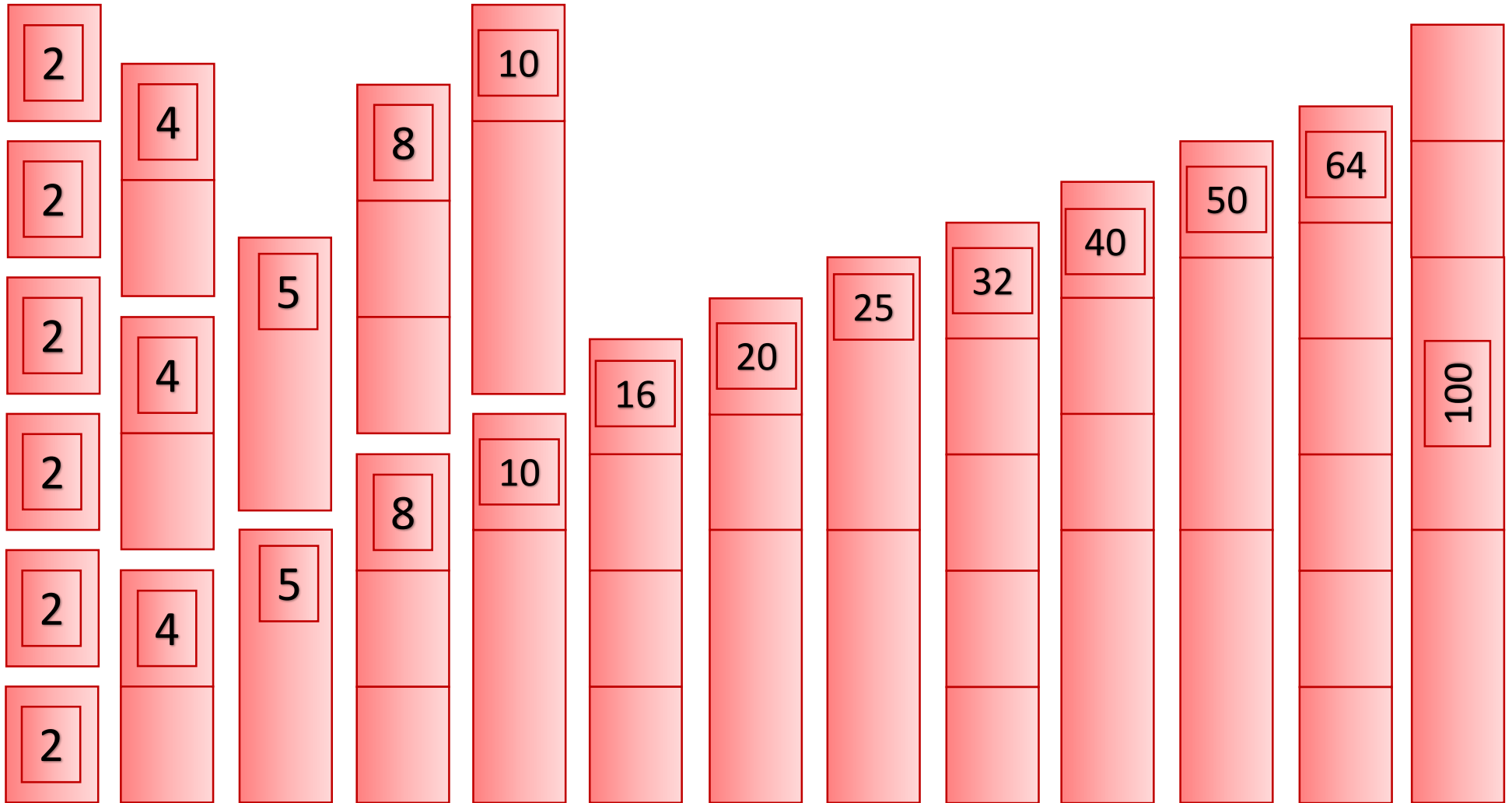
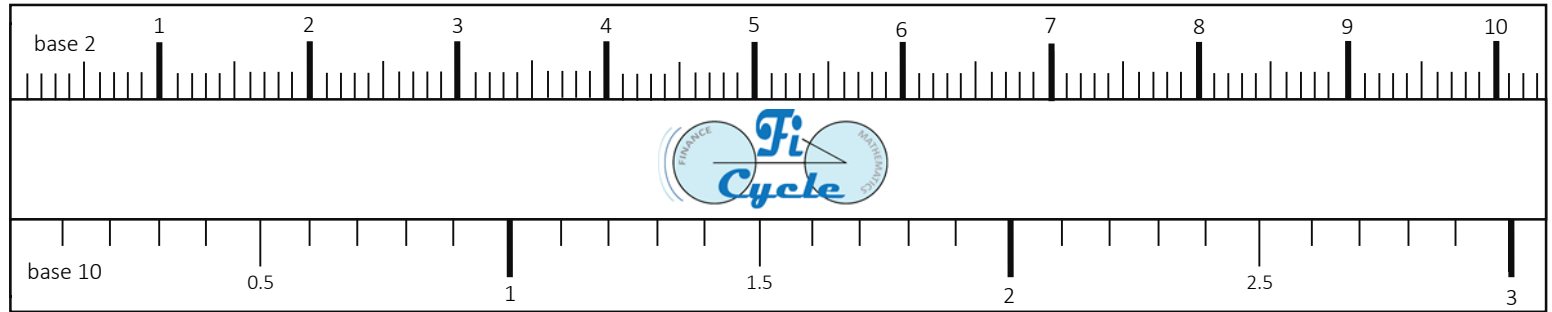
Visit ficycle.com/logs for more information or to order your own set of stackable, plastic LOGs!

Patent Information: www.ficycle.org/pat

©FiCycle 2019

FiCycle LOGs

Instructions: Cut out the LOGs and LOG ruler along their perimeters. Be careful not to cut along the divisions within the individual LOGs!



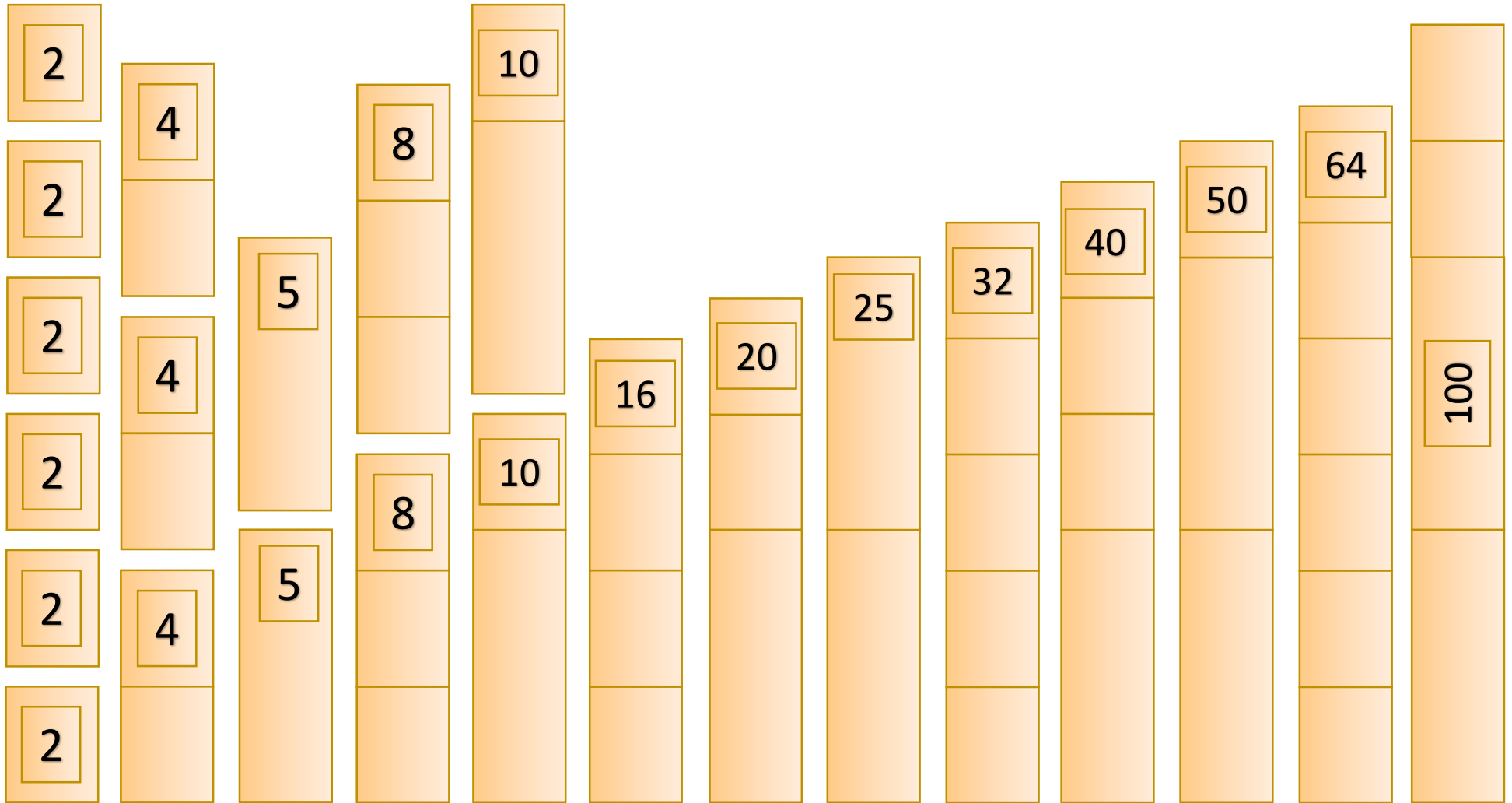
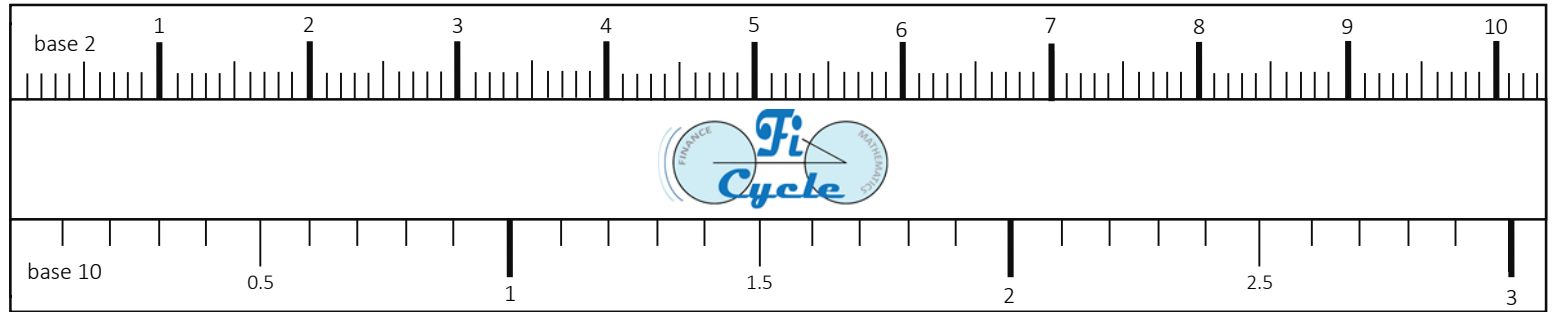
Visit ficycle.com/logs for more information or to order your own set of stackable, plastic LOGs!

Patent Information: www.ficycle.org/pat

©FiCycle 2019

FiCycle LOGs

Instructions: Cut out the LOGs and LOG ruler along their perimeters. Be careful not to cut along the divisions within the individual LOGs!



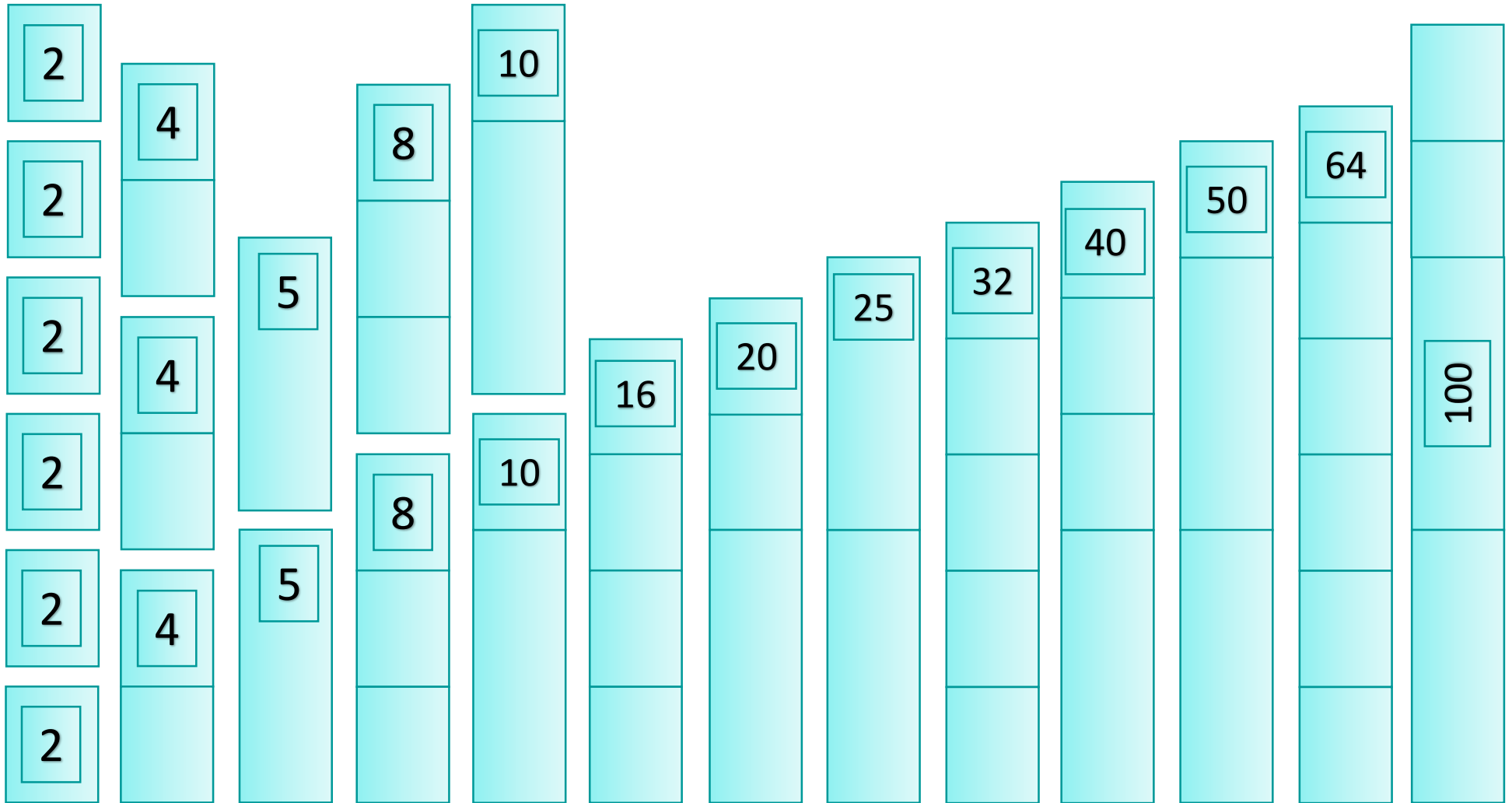
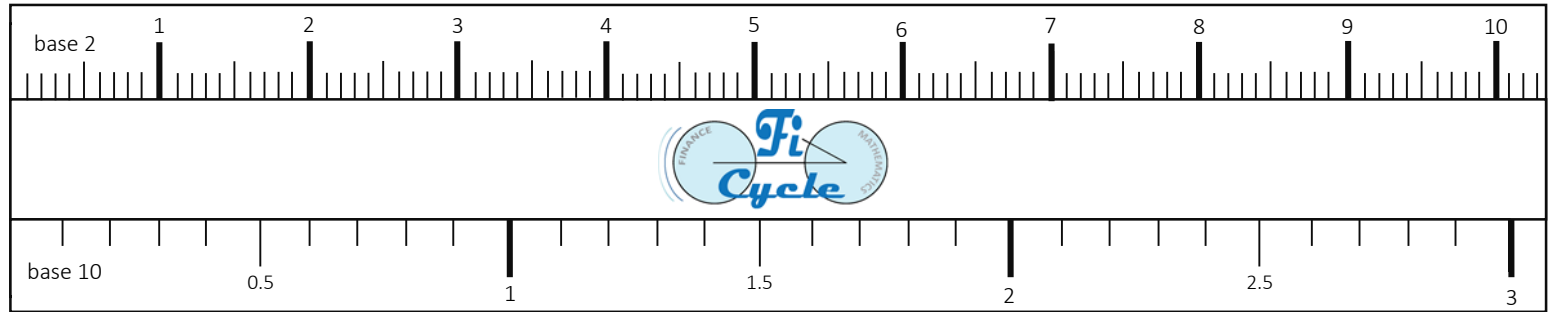
Visit ficycle.com/logs for more information or to order your own set of stackable, plastic LOGs!

Patent Information: www.ficycle.org/pat

©FiCycle 2019

FiCycle LOGs

Instructions: Cut out the LOGs and LOG ruler along their perimeters. Be careful not to cut along the divisions within the individual LOGs!



Visit ficycle.com/logs for more information or to order your own set of stackable, plastic LOGs!

Patent Information: www.ficycle.org/pat

©FiCycle 2019